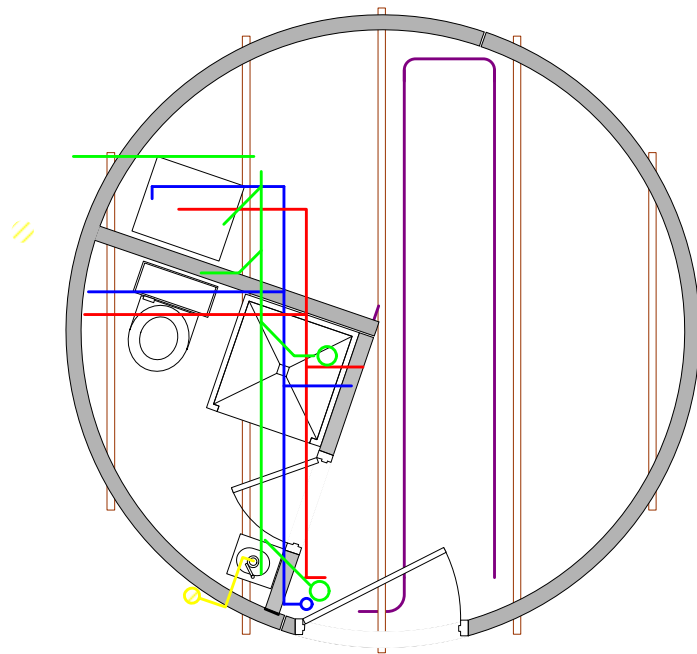


14 Foot Yurt - Floorplan

Plumbing Diagram



Cold Water
Hot Water
Drain Pipes
Vent Pipes
Radiant Ht.